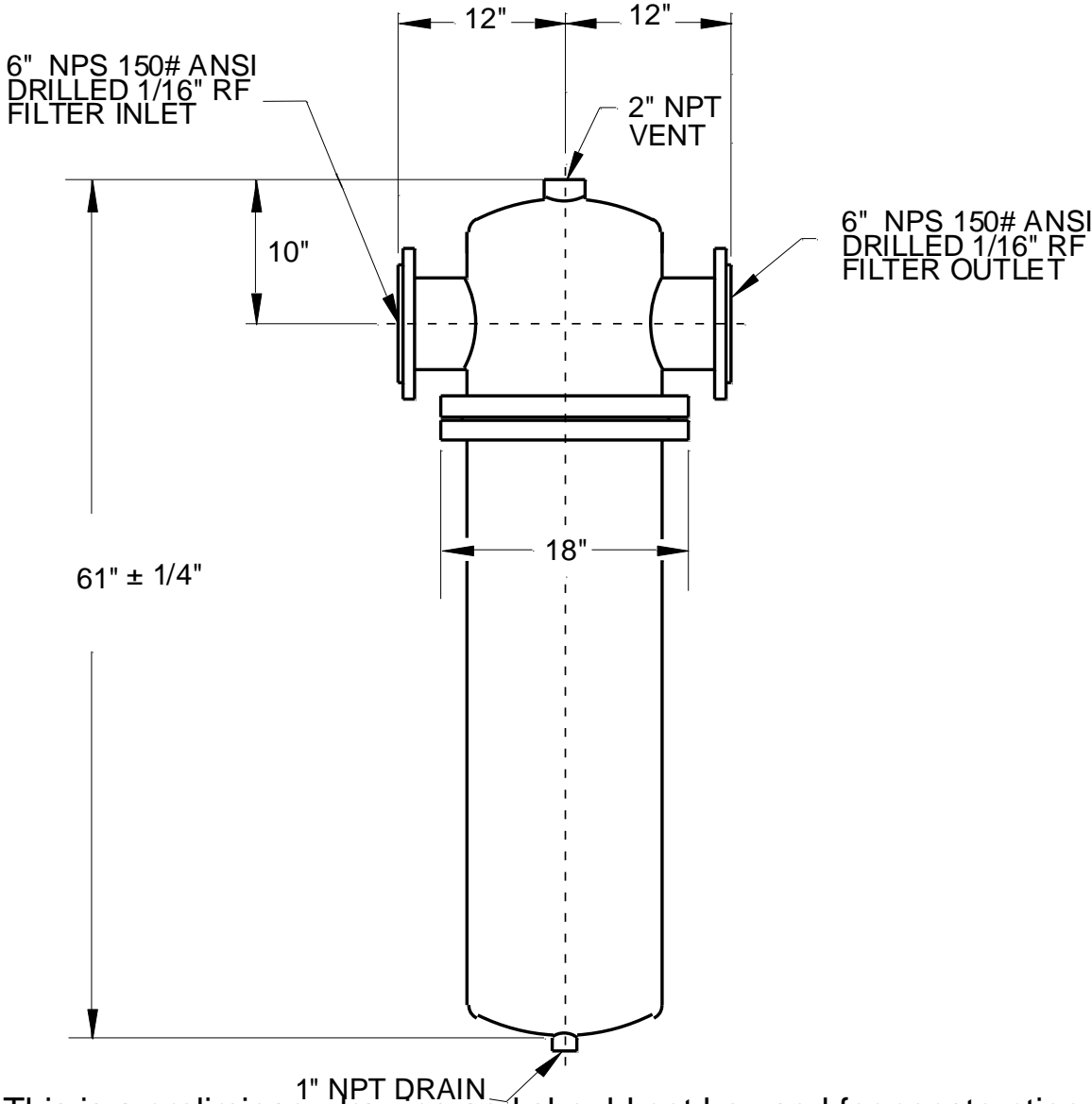
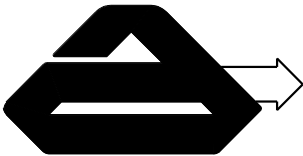


# Preliminary Drawing for R. P. Adams Model 6" GP-1527-PS ASME Gas Filter 150 PSIG Design Pressure



Notes: This is a preliminary drawing and should not be used for construction purposes.



**R. P. Adams**  
P. O. Box 963  
Buffalo, NY 14240-0963  
Phone: (716) 877-2608  
Fax: (716) 877-9385  
Email: info@rpadams.com

Date:	
Proposal No.:	
Customer:	
Address:	
Submitted by:	