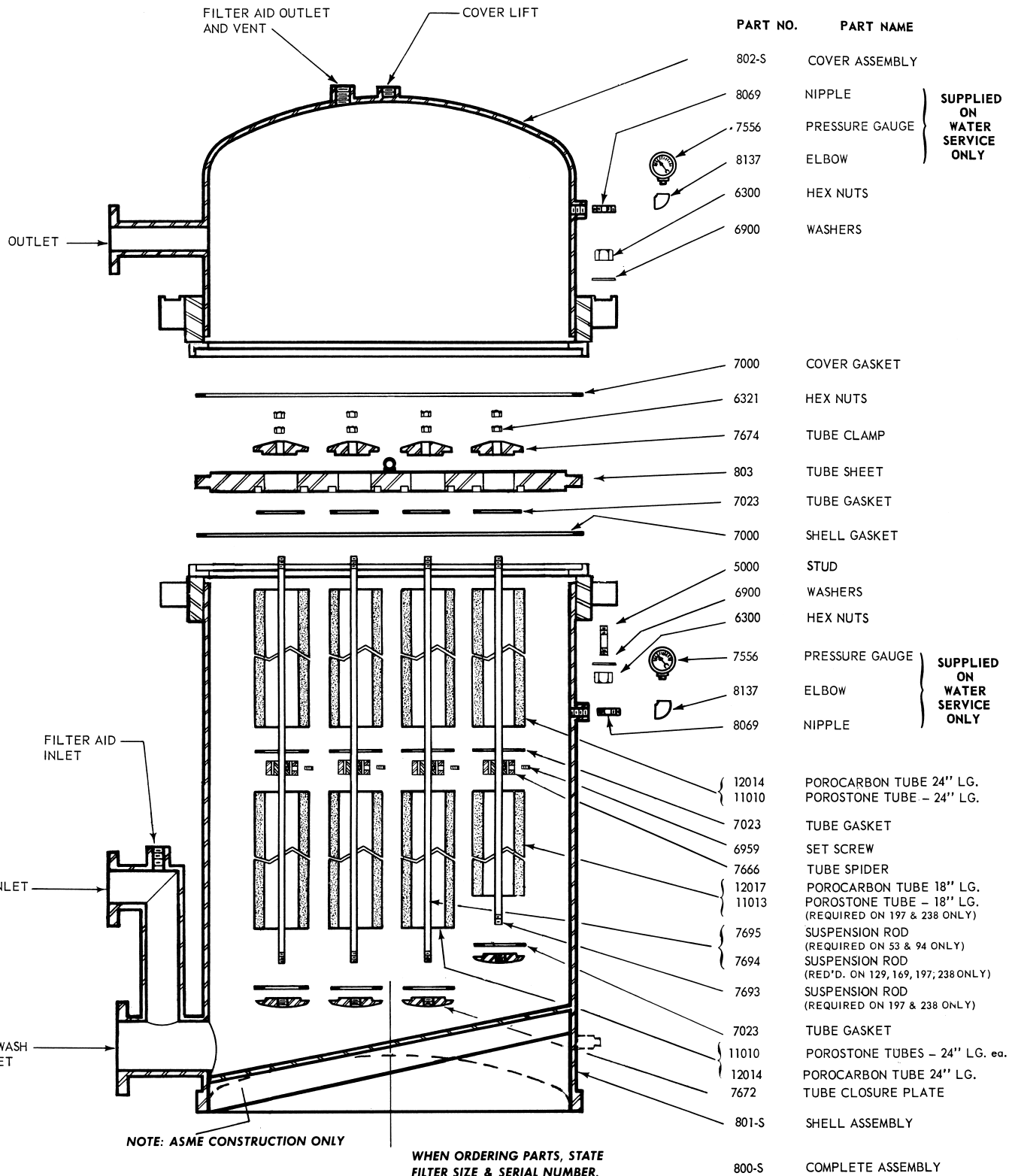


# PARTS LIST IWF FILTERS

## FOR SPECIAL METALS AND LUG BOLT CONSTRUCTION



NOTE: ASME CONSTRUCTION ONLY

WHEN ORDERING PARTS, STATE FILTER SIZE & SERIAL NUMBER.

SUPERSEDES SK-27800 10-15-81

**R. P. ADAMS COMPANY, INC.**  
BUFFALO, N. Y 14240

**SS-27800**

DATE: — 11-1-82