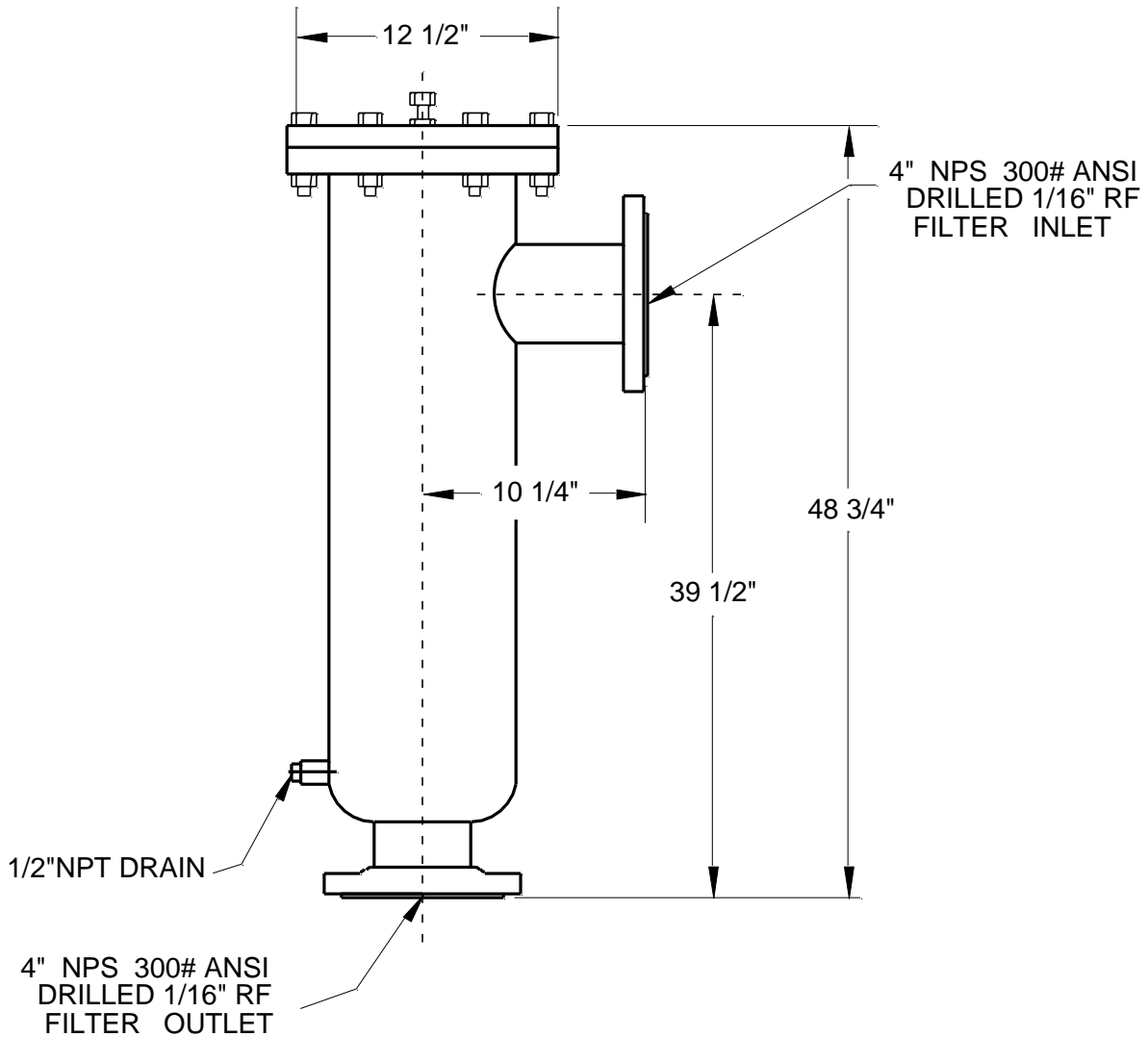
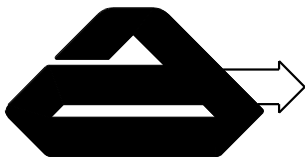


Preliminary Drawing for R. P. Adams Model 4" GP-508-HD-PS ASME Gas Filter 300 PSIG Design Pressure



Notes: This is a preliminary drawing and should not be used for construction purposes.



R. P. Adams
 P. O. Box 963
 Buffalo, NY 14240-0963
 Phone: (716) 877-2608
 Fax: (716) 877-9385
 Email: info@rpadams.com

Date:
Proposal No.:
Customer:
Address:
Submitted by: