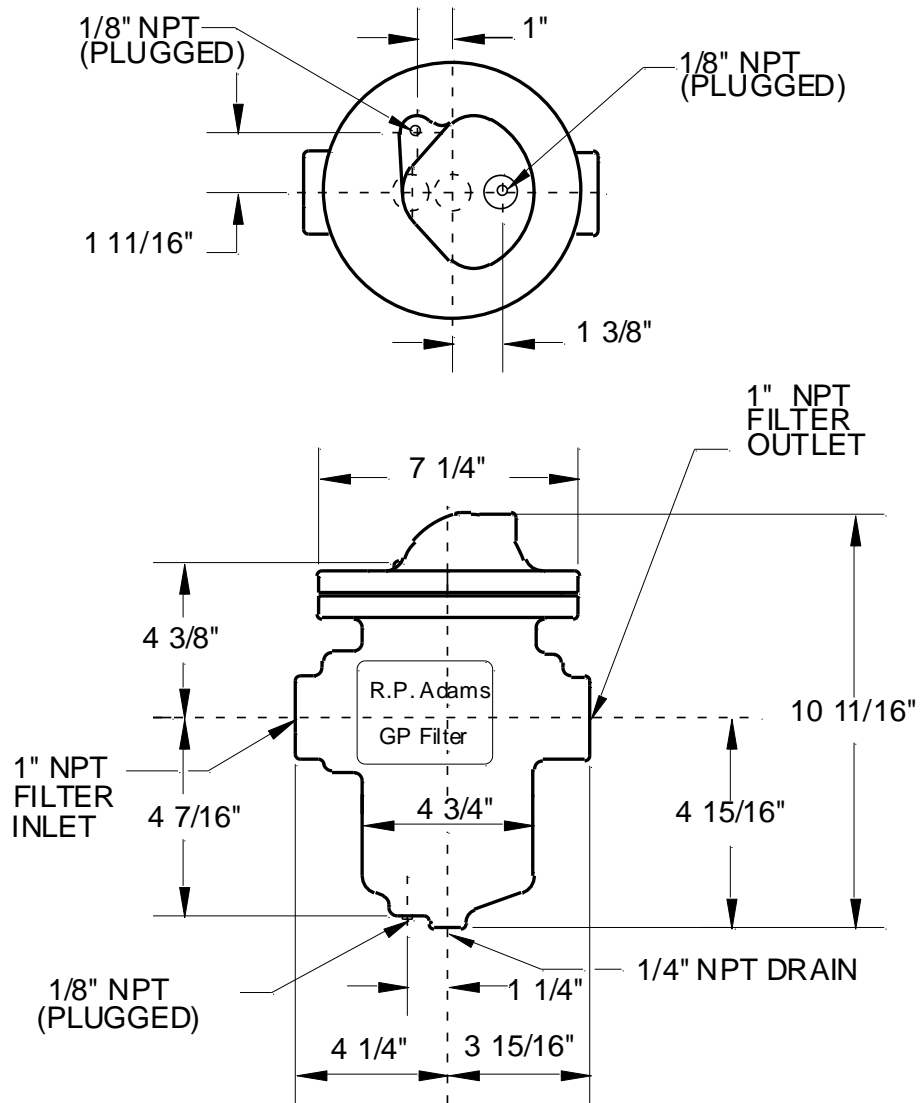


# Preliminary Drawing for R. P. Adams Model 1" GP-47-PC Steam Filter 100 PSIG Design Pressure



Notes: This is a preliminary drawing and should not be used for construction purposes.



**R. P. Adams**  
**P. O. Box 963**  
**Buffalo, NY 14240-0963**  
**Phone: (716) 877-2608**  
**Fax: (716) 877-9385**  
**Email: info@rpadams.com**

**Date:**

**Proposal No.:**

**Customer:**

**Address:**

**Submitted by:**