

ADAMS HORIZONTAL AUTOMATIC STRAINER PARTS LIST

HDWS 68 THRU 80

DUAL BACK WASH

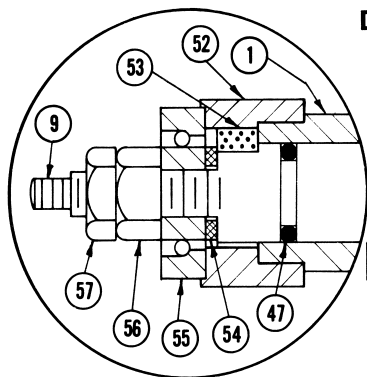


FIGURE 1

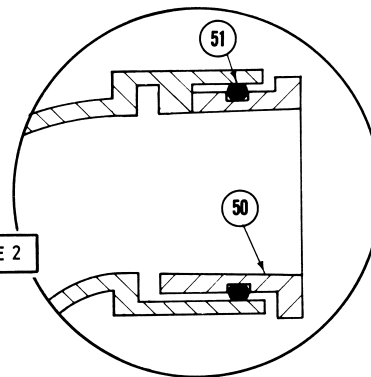
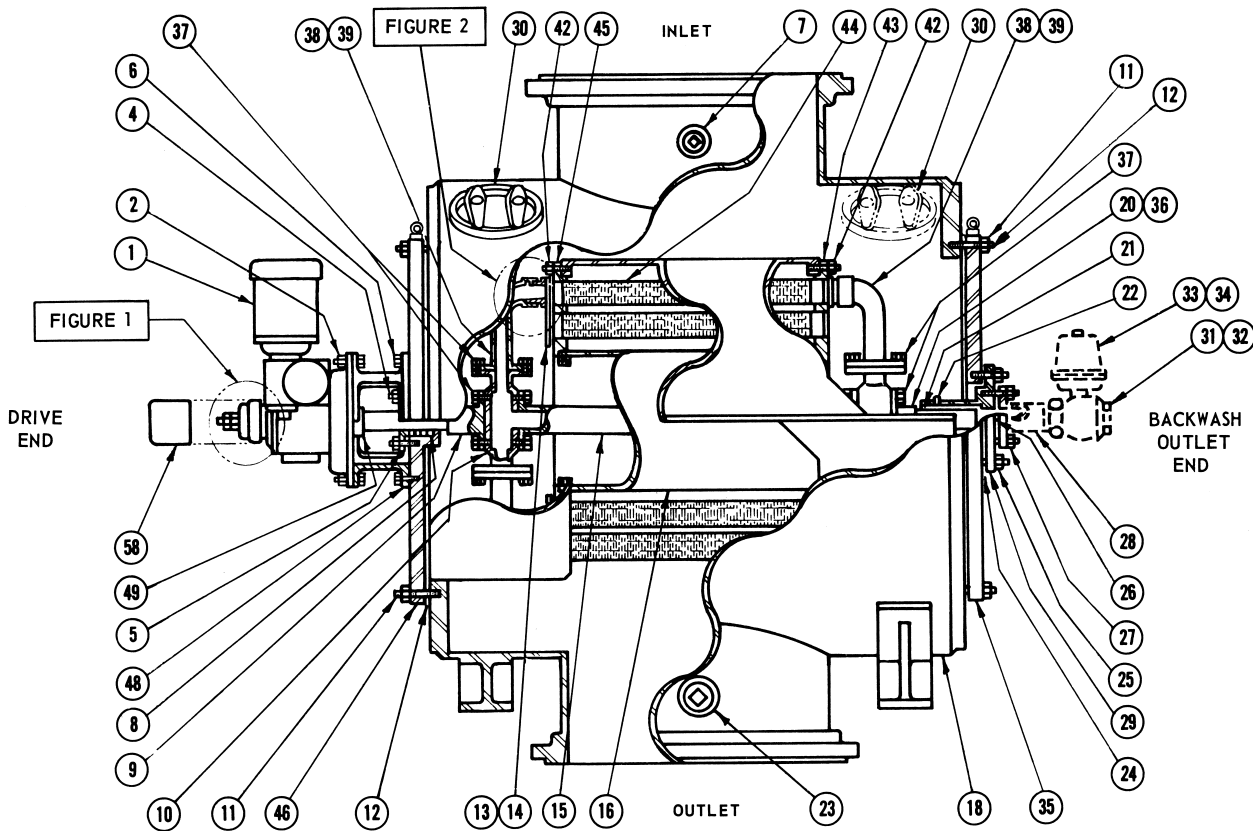


FIGURE 2



ITEM	DESCRIPTION	PART NO.	ITEM	DESCRIPTION	PART NO.	ITEM	DESCRIPTION	PART NO.
1	GEARMOTOR	3320	20	B/W SHAFT (B/W Outlet Section)	3362	39	B/W DIST. ARM (Short) Assembly	3365
2	GEARMOTOR BOLT AND NUT	5071	21	BACKWASH BEARING (Cutless Type)	3160			
4	STUD, NUT AND WASHER (Pkg. Gland)	6000	22	BEARING SET SCREWS	6955	42	STUD AND NUT (Tube Sheet)	6000
5	PACKING GLAND	3213	23	DRAIN PLUG NPT	8000	43	TUBE SHEET (B/W Outlet End)	3354
6	CAP SCREW (Gearmotor Mount)	5500	24	GASKET (Bearing Housing)	7167	44	PORO-EDGE TUBE (Strainer Element)	3302
7	VENT PLUG NPT	8000	25	STUD AND NUT (Bearing Housing)	6056	45	TUBE SHEET (Drive End)	3353
8	DRIVE SHAFT PACKING (4 Rows & 3 Split Ring Gaskets Per Set)	3266	26	GASKET (B/W Outlet Piping)	7166	46	COVER (Drive End)	3351
9	DRIVE SHAFT	3356	27	STUD AND NUT (B/W Outlet Piping)	6000	47	"O" RING GEARMOTOR SEALS (2 Req'd.)	7157
10	B/W SHAFT TEE (Drive End)	3357	28	B/W OUTLET PIPING	3316	48	GEARMOTOR MOUNT	3212
11	STUD and NUT (Dr. and B/W Outlet End Covers)	6000	29	B/W BEARING HOUSING	3314	49	STOP COLLAR WITH SET SCREW	3310
12	GASKET (Dr. and B/W Outlet End Covers)	7000	30	INSPECTION COVER ASSEMBLY (Cover, Yoke, Bolt, Nut and Gasket)	7707	50	DISTRIBUTOR BARREL/SEAL PLATE	3260
13	INLET PORT RING (Drive End Only)	3258	31	B/W BALL VALVE (3" NPT)	7523S	51	"O" RING (Distributor Barrel/Seal Plate)	7164
14	INLET PORT RING SCREWS	6721	32	B/W BALL VALVE (4"-150lb. ANSI-RF)	7523F	52	SHEAR KEY COLLAR	3301
15	B/W OUTLET SHAFT (Shell Section)	3358	33	B/W VALVE OPERATOR (Air or Electric)	3144	53	SHEAR KEY	3313
16	TRANSFER PIPE (With Cap Screws)	3359	34	B/W VALVE SOLENOID (On Air Oper. Only)	3143	54	SPACER	3312
			35	COVER (B/W Outlet End)	3352	55	THRUST BALL BEARING	3311
18	SHELL ASSEMBLY	3360	36	B/W SHAFT TEE (B/W Outlet End)	3363	56	HEX NUT (Regular)	6357
			37	B/W SHAFT ASSEMBLY BOLTS (Long-Lok)	5600	57	HEX NUT (Jam)	6356
			38	B/W DIST. ARM (Long) Assembly	3364	58	DUST CAP	3368

WHEN ORDERING PARTS - STATE STRAINER SERIAL NUMBER, SIZE & ELECTRICAL CHARACTERISTICS AS WELL AS PART NUMBER.

R. P. ADAMS COMPANY, INC.

BUFFALO, NEW YORK 14240

ST-33480

DATE: 8-1-79

SUPERSEDES ST-33480 6-15-77