

ADAMS HORIZONTAL AUTOMATIC STRAINER PARTS LIST

HWS 10 THRU 40

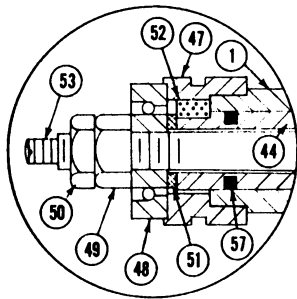


FIGURE 1

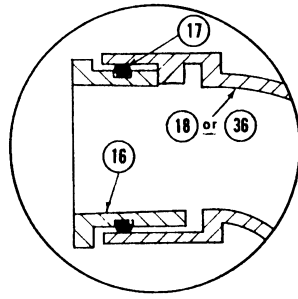


FIGURE 2

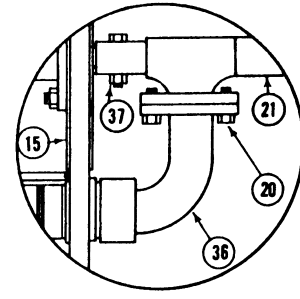
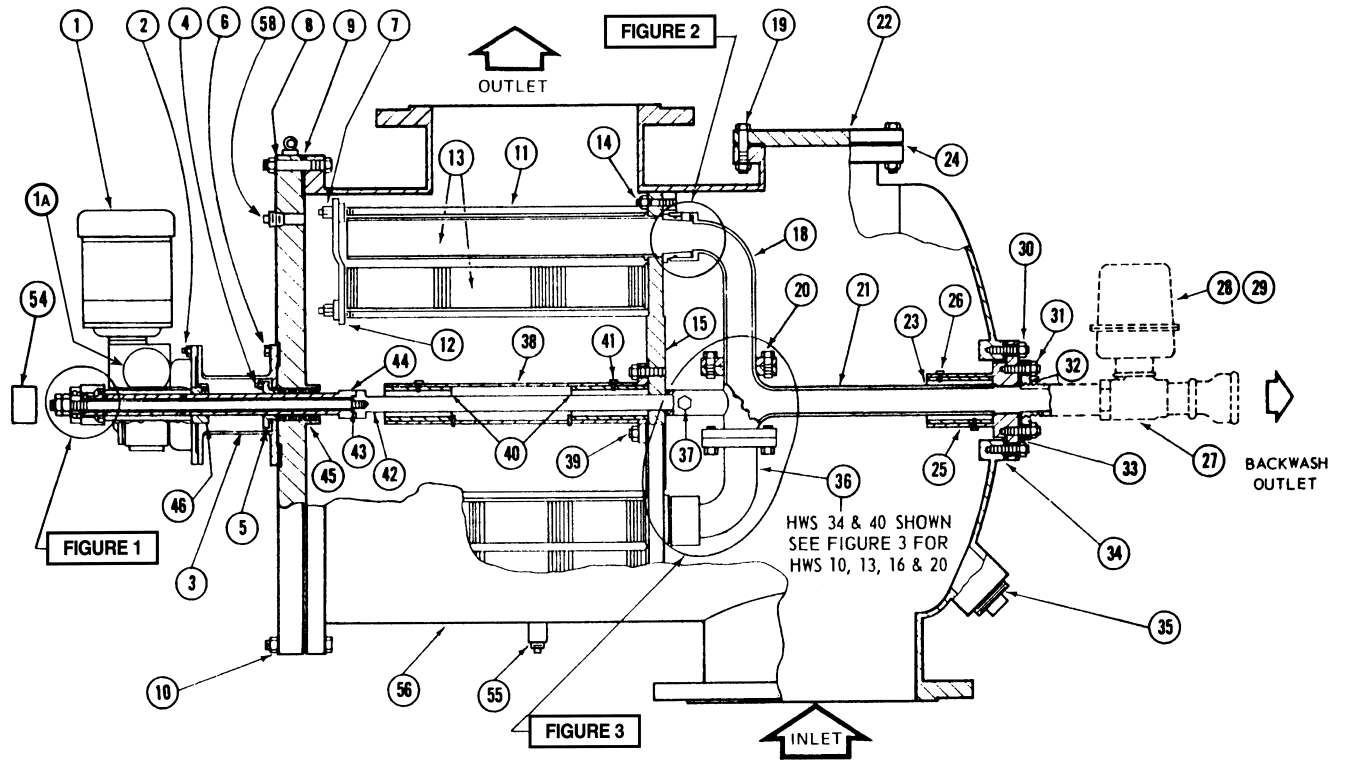


FIGURE 3



SUPERSEDES ST-32700 12-1-79

ITEM	DESCRIPTION	ITEM	DESCRIPTION	ITEM	DESCRIPTION
1	Gear Motor	20	B/W Shaft Assem. Bolt	40	Cutless Bearing
1A	Speed Reducer	21	B/W Shaft	41	Set Screw-Cutless Bearing
2	Gear Motor Bolt & Nut	22	Inspection Open'g Cover	42	Drive Shaft Extension
3	Gear Motor Mount	23	Cutless Bearing	43	Drive Shaft Gasket
4	Stud, Nut & Washer	24	Inspection Open'g Gasket	44	Drive Shaft
5	Packing Gland	25	B/W Brg. Housing	45	Dr. Shaft Pkg. With Split Gasket
6	Cap Screw	26	Brg. Set Screw	46	Stop Collar & Set Screw
7	Tube Support Rod Nut	27	B/W Ball Valve	47	Shear Key Collar
8	Cover	28	B/W Valve Operator	48	Thrust Bearing
9	Cover Gasket	29	B/W Valve Solenoid	49	Hex Nut (Reg.)
10	Cover-Bolt & Nut	30	B/W Fig. Stud & Nut	50	Hex Nut (Jam)
11	Tie Rod	31	B/W Outlet Fig. Stud & Nut	51	Spacer
12	Tie Rod Bar	32	B/W Outlet Pip'g	52	Shear Key
13	Poro-Edge Tubes	33	B/W Outlet Fig. Gasket	53	Drive Shaft Stud
14	Tube Sheet Nut & Stud	34	B/W Brg. Housing Gasket	54	Dust Cap
15	Tube Sheet	35	Drain Plug. NPT	55	Vent Plug NPT
16	Distributor Barrel/Seal Plate	36	B/W Dist. Arm (Short) Assm.	56	Shell Assembly
17	"O" Ring (Distributor Barrel/Seal Plate)	37	B/W Shaft Coupler Bolt & Nut	57	"O" Ring Gear Motor Seals (2 Req'd.)
18	B/W Dist. Arm (Long) Assm.	38	Dr. Shaft Extension Brg. Hous'g	58	Vent Plug NPT
19	Inspection Open'g. Bolt & Nut	39	Drive Shaft Brg. Stud & Nut		



R. P. ADAMS COMPANY, INC.

BUFFALO, NEW YORK 14240

ST-32700

DATE: 3-15-99