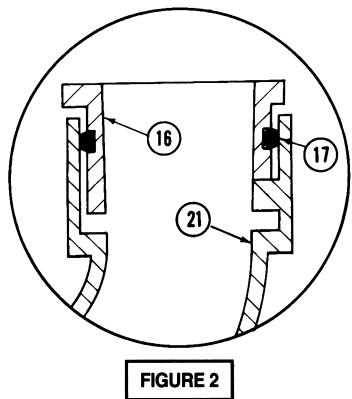
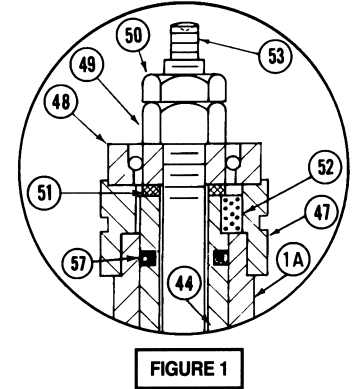
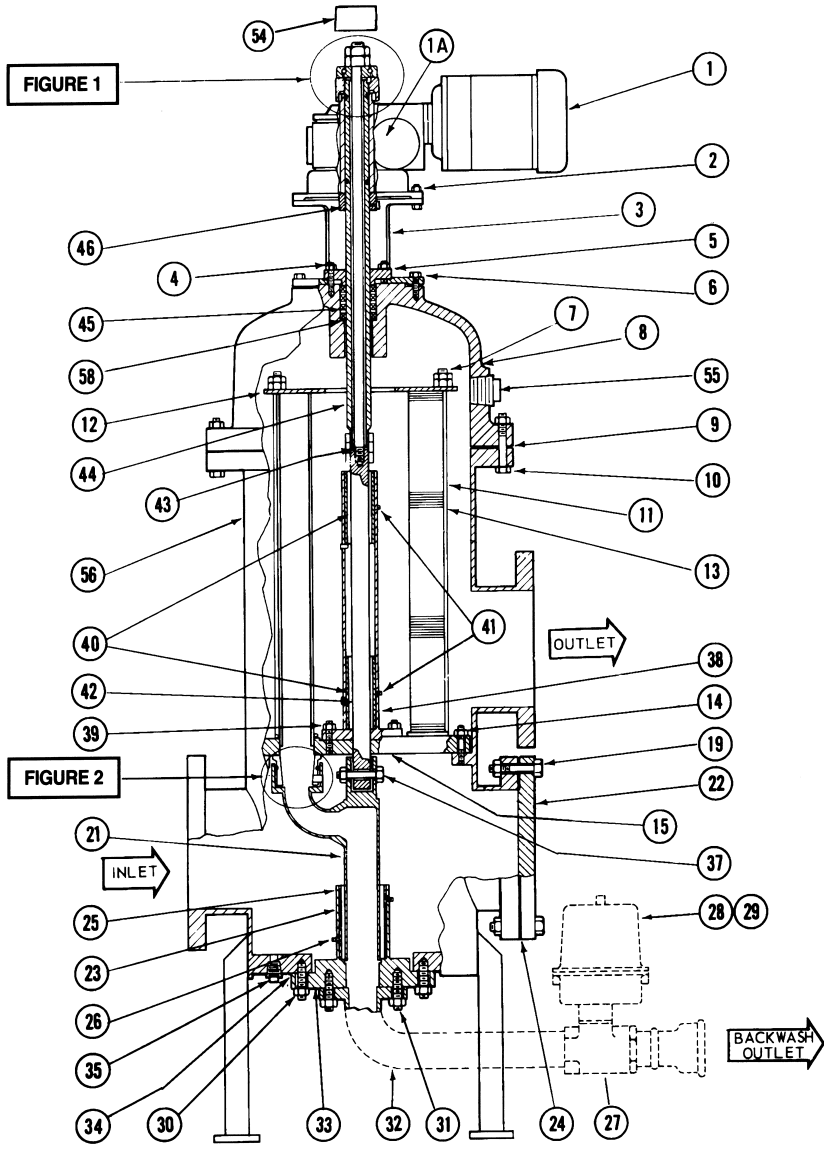


# ADAMS VERTICAL AUTOMATIC STRAINER PARTS LIST

## VWS-7



ITEM	DESCRIPTION	ITEM	DESCRIPTION	ITEM	DESCRIPTION
1	Motor	21	Dist. Arm & B/W Shaft	41	Set Screw-Cutless Bearing
1A	Speed Reducer	22	Inspection Open'g., Cover	42	Drive Shaft Extension
2	Gear Motor Bolt & Nut	23	Cutless Brg. (Backwash Outlet)	43	Drive Shaft Gasket
3	Gear Motor Mount	24	Inspection Open'g. Gasket	44	Drive Shaft
4	Stud, Nut & Washer	25	B/W Brg. Housing	45	Dr. Shaft Pkg. with Split Gasket
5	Packing Gland	26	Brg. Set Screw	46	Stop Collar & Set Screw
6	Cap Screw	27	B/W Ball Valve	47	Shear Key Collar
7	Tie Rod Unit	28	B/W Valve Operator	48	Thrust Bearing
8	Cover	29	B/W Valve Solenoid	49	Hex Nut (Reg.)
9	Cover Gasket	30	B/W Fig. Stud & Nut	50	Hex Nut (Jam)
10	Cover-Bolt & Nut	31	B/W Outlet Fig. Stud & Nut	51	Spacer
11	Tie Rod	32	B/W Outlet Pip'g.	52	Shear Key
12	Tube Retaining Ring	33	B/W Outlet Fig. Gasket	53	Drive Shaft Stud
13	Poro-Edge Tubes	34	B/W Brg. Housing Gasket	54	Dust Cap
14	Tube Sheet Nut & Stud	35	Drain Plug, NPT	55	Vent Plug, NPT
15	Tube Sheet	37	B/W Shaft Coupler Bolt & Nut	56	Shell Assembly
16	Distributor Barrel/Seal Plate	38	Dr. Shaft Extension Brg. Hous'g.	57	"O" Ring Gear Motor Seals (2 Req'd)
17	"O" Ring (Distributor Barrel/Seal Plate)	39	Dr. Shaft Brg. Stud & Nut	58	Packing Washer
19	Inspection Open'g. Bolt & Nut	40	Cutless Bearing (Dr. Shaft Ext.)		

SUPERSEDES ST-32230 1-2-79



**R. P. ADAMS COMPANY, INC.**

BUFFALO, NEW YORK 14240

**ST-32230**

DATE: 3-15-99