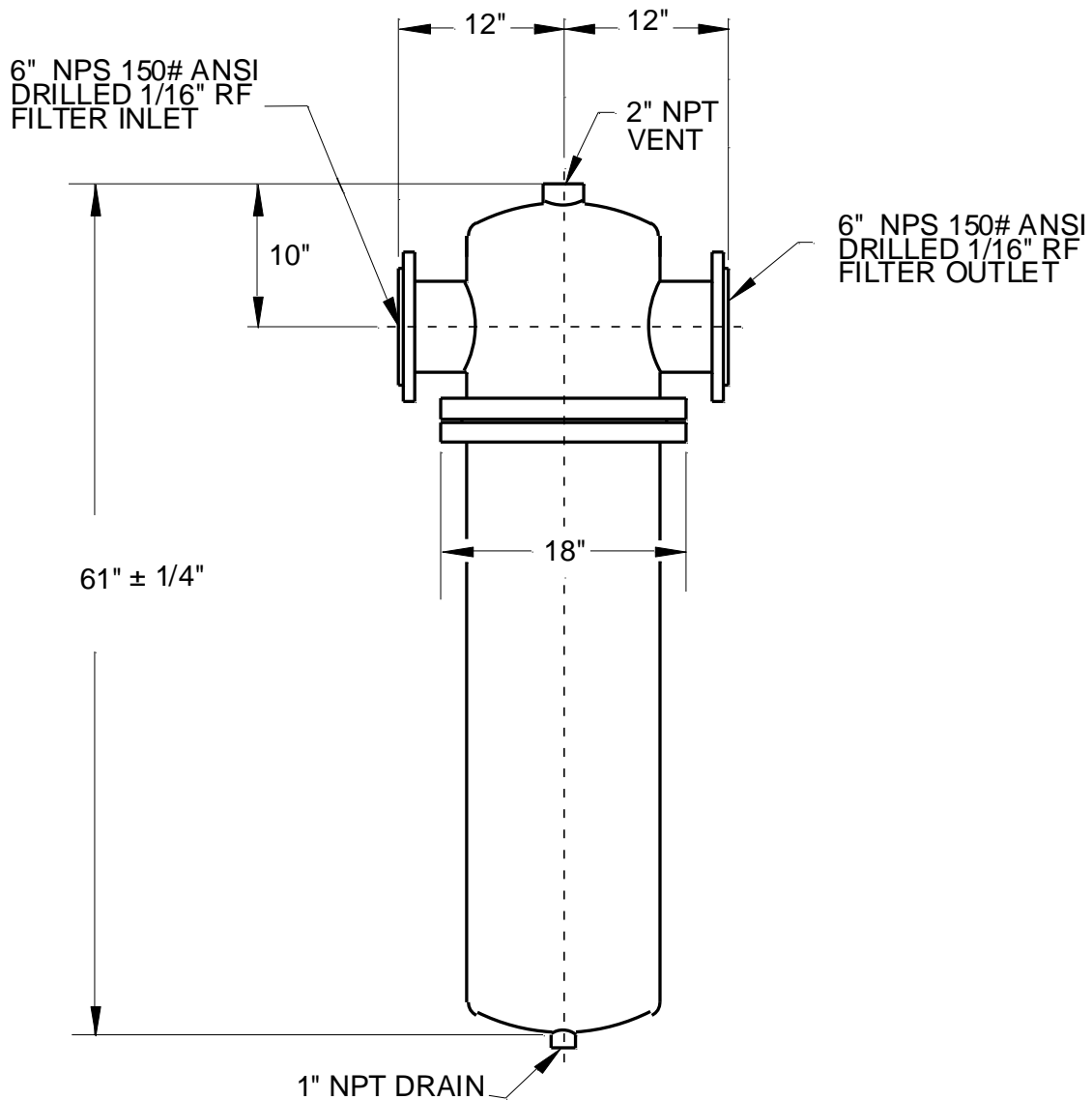
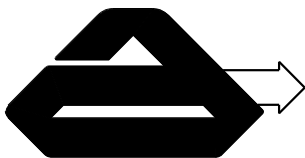


Preliminary Drawing for R. P. Adams Model 6" GP-1527-PC Steam Filter 100 PSIG Design Pressure



Notes: This is a preliminary drawing and should not be used for construction purposes.



R. P. Adams
P. O. Box 963
Buffalo, NY 14240-0963
Phone: (716) 877-2608
Fax: (716) 877-9385
Email: info@rpadams.com

Date:	
Proposal No.:	
Customer:	
Address:	
Submitted by:	