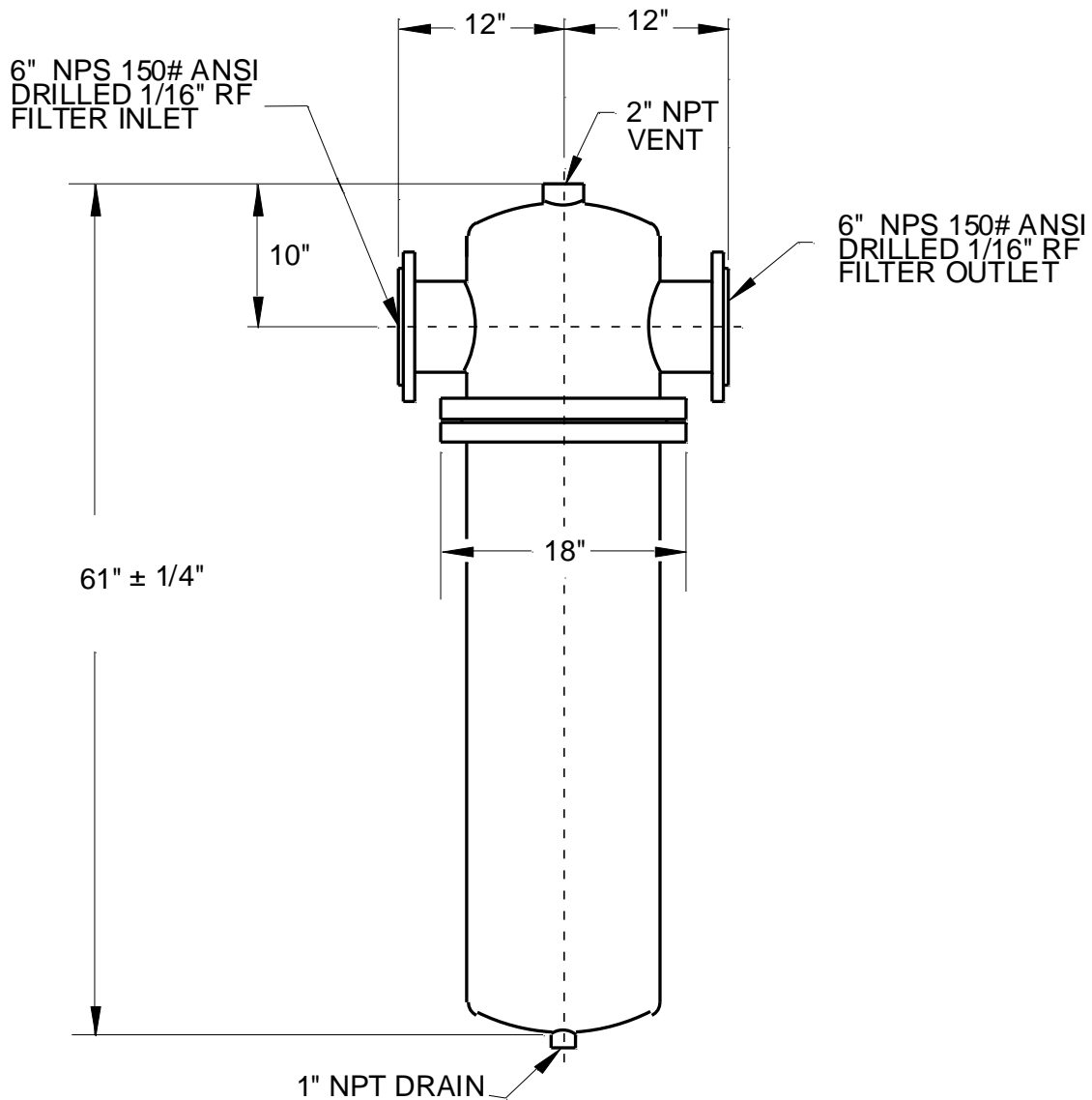
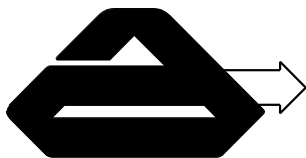


Preliminary Drawing for R. P. Adams Model 6" GP-1527-PC ASME Steam Filter 100 PSIG Design Pressure



Notes: This is a preliminary drawing and should not be used for construction purposes.



R. P. Adams
P. O. Box 963
Buffalo, NY 14240-0963
Phone: (716) 877-2608
Fax: (716) 877-9385
Email: info@rpadams.com

| |
|---------------|
| Date: |
| Proposal No.: |
| Customer: |
| Address: |
| Submitted by: |